



PROJECT NO. 50207754

DATE 9/3/2015

Quoted To: American Panel
Attn:

Project location:
Quoted by: Donnie Rupp
Phone 770-465-5600 - Fax 800-770-4450
E-mail donnie.rupp@heatcraftprd.com
Quote Validity date 60 Days.
cc:

PROJECT SPECIFICATIONS

WATER COOLED CONDENSING UNIT

Model: WS2200M6*AP

R-404A Indoor one (1) compressor water cooled condensing unit 208-230/3/60 - 460/3/60
Compressor mounted on top of condenser like standard WS units.

Compressors

One (1) 4JE-22-2NU compressor @ 15°F SST / + 85°F EWT / 162,400 BTUH
One (1) 4TE-12-2NU compressor @ -40°F SST / + 85°F EWT / 30,780 BTUH
Compressor is a Bitzer semi-hermetic reciprocating compressor w/service valves, encapsulated high pressure control, adjustable low pressure control, oil safety control, suction/discharge vibration eliminators, and crankcase heater.

Water cooled condenser

Horizontal water cooled condenser w/ pressure relief system
205 lbs Nominal pumpdown capacity
85° F EWT / 34.7 GPM / 1.1 psid / 15° F SST
85° F EWT / 3.5 GPM / 0.1 psid / -40° F SST

Liquid / Suction Groups

Liquid line w/replaceable core filter/drier and sight glass.
Replaceable core suction filter
Suction accumulator
One (1) suction and liquid stub out.

Mounted valves & controls

One (1) adjustable low pressure control.
Braided stainless steel superhose for control lines.
Water regulating valve.

Oil System



PROJECT NO. 50207754

DATE 9/3/2015

Quoted To: American Panel
Attn:

Project location:
Quoted by: Donnie Rupp
Phone 770-465-5600 - Fax 800-770-4450
E-mail donnie.rupp@heatcrafterpd.com
Quote Validity date 60 Days.
cc:

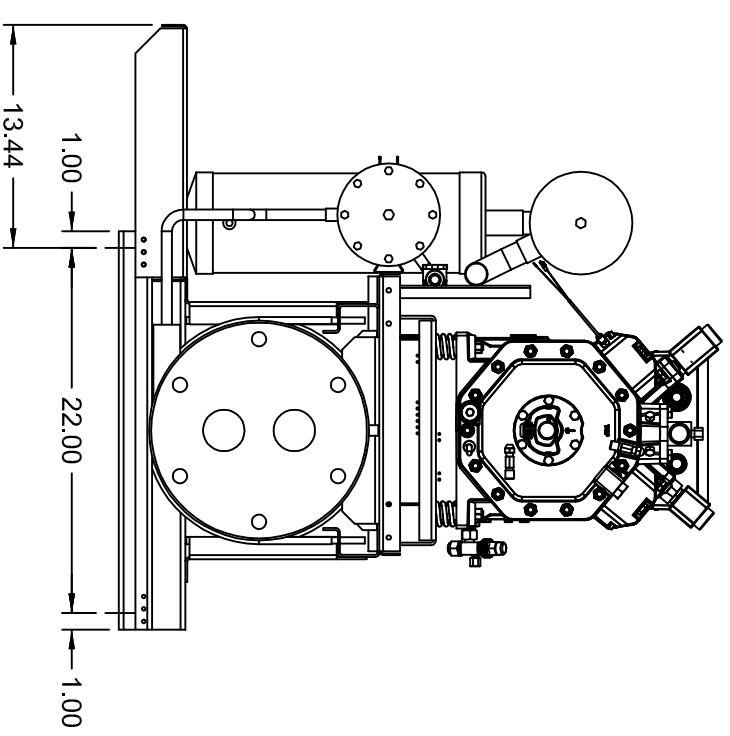
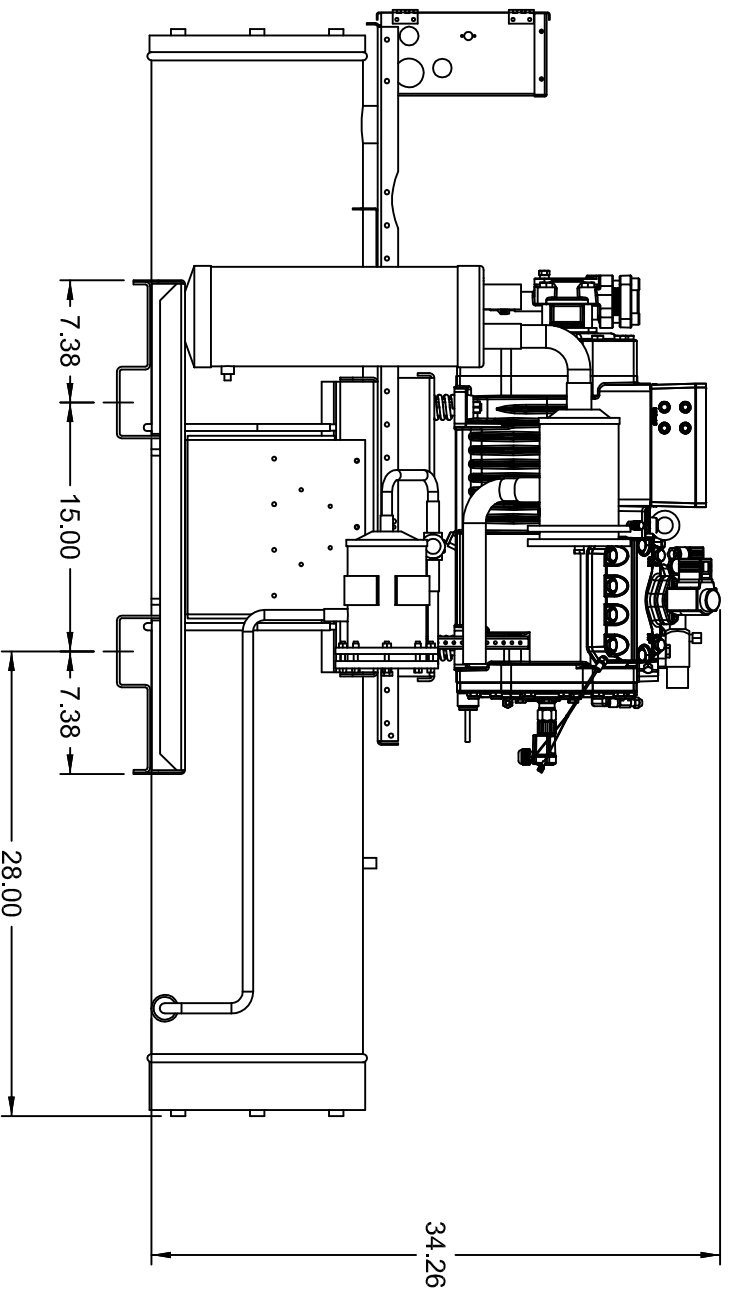
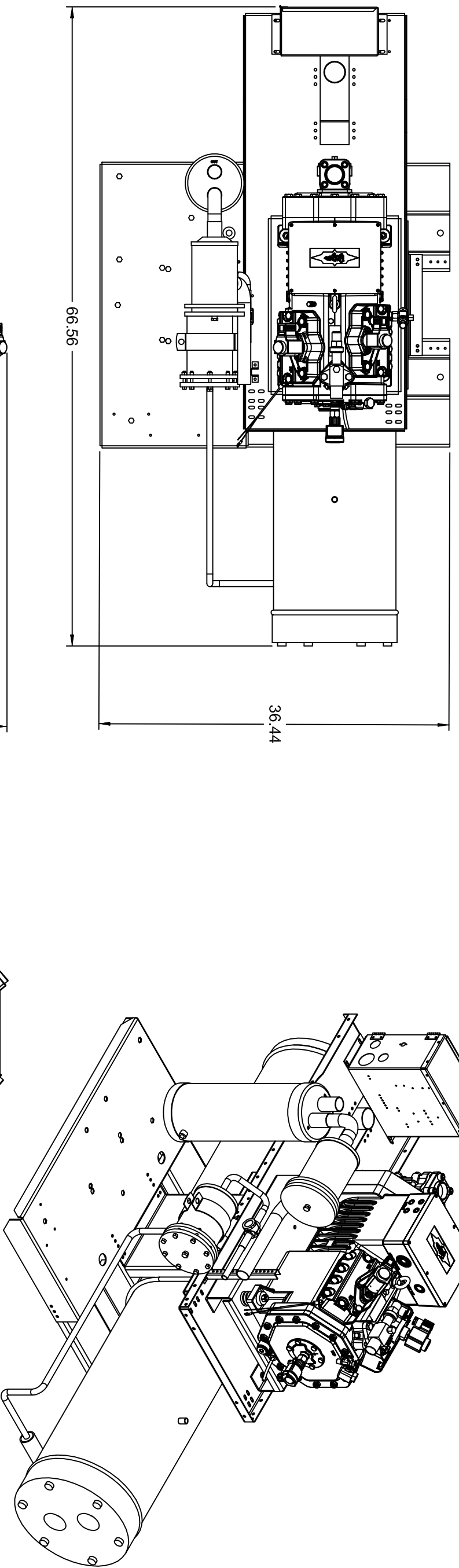
PROJECT SPECIFICATIONS

Electrical Panel

Nema 4 Control Panel for 460/3/60 or 230/3/60
ETL Listed electrical enclosure
Electrical distribution block
Phase monitor
Control circuit transformer
230/1/60 control circuit
Compressor motor contactor
Non fused disconnect
Misc. fuses, relays, switches, & terminal strips

Approximate Dimension : 55" L x 37" W x 43" H
Approximate Weight: 743 lbs.

REV	ECN NO.	DATE	BY	DESCRIPTION



UNIT SPECIFICATIONS

MODEL	LIQUID CONNECTIONS (CDS)	SUCTION CONNECTIONS (CDS)	WATER FTG (FPT)	REFRIG. TYPE	APPL. RANGE F ₁ -F ₂	SHIPPING WT. (LBS) APPROX.	PUMPDOWN CAPACITY (LBS) 50%
WS2200M6AP	7/8"	2-1/8"	2-1/2"	R-404A/507	-40/+15	743	205

ELECTRICAL CHARACTERISTICS

COMPRESSOR MODEL NO.	POWER SUPPLY	COMPRESSION RLA	COMPRESSION LRA	UNIT MCA	UNIT MOPD
4JE-22-2NU	208-230V/3Ø/60HZ	68	352	85	150
4JE-22-2NU	460V/3Ø/60HZ	30.8	176	38.5	60

TOLERANCES (UNLESS OTHERWISE SPECIFIED)

WIRE AND CONDUIT	FINNED LENGTH	CUT SIZE
WIRE CUT SIZE: .+50/-00	0 TO 24 .±.06	HOLE DIAMETER .±.03
CONDUIT CUT SIZE (NOT UNDER TENSION) 12 TO 36 .+38/-00	24 TO 75 .±.13	ENDPLATE TUBE HOLE .±.005
OVER 36 .+75/-00	OVER 75 .±.19	C/L OF HOLES .±.001
	CONNECTIONS .±.13	ANGLES .±.02
	FIN QTY. ±3%	FORMED DIMENSIONS .±2°
	BOW (ANY DIRECTION) 0 TO 36 .±.03	
	12 TO 36 .±.13	
	36 TO 96 .±.19	
	OVER 96 .±.25	

TUBING

FRACTIONAL	TOLERANCE BLOCK
1 TO 36 .±.03	
OVER 36 .±.13	
ANGLES .±5°	

ISSUED 02/25/94 REV. A

THIS DOCUMENT CONTAINS MATERIAL AND/OR INFORMATION WHICH IS THE PROPERTY OF HEATCRAFT INC. AND IS SUPPLIED ONLY ON A PROPRIETY BASIS. NO TRANSMITTAL SHALL BE MADE TO ANY PERSON, FIRM, OR CORPORATION WITHOUT PRIOR WRITTEN APPROVAL.

REFRIGERATION PRODUCTS LLC STONE MOUNTAIN, GEORGIA U.S.A.		DRAWN DATE TLD 9/15/2015 APPROVED DATE JEH 9/15/2015 SHT. 1 OF 1	PRODUCT WATER COOLED	PART NO. WS2200M6AP	TITLE UNIT SUBMITTAL
--	--	--	--------------------------------	-------------------------------	--------------------------------

DWG. NO.	REV.
B	